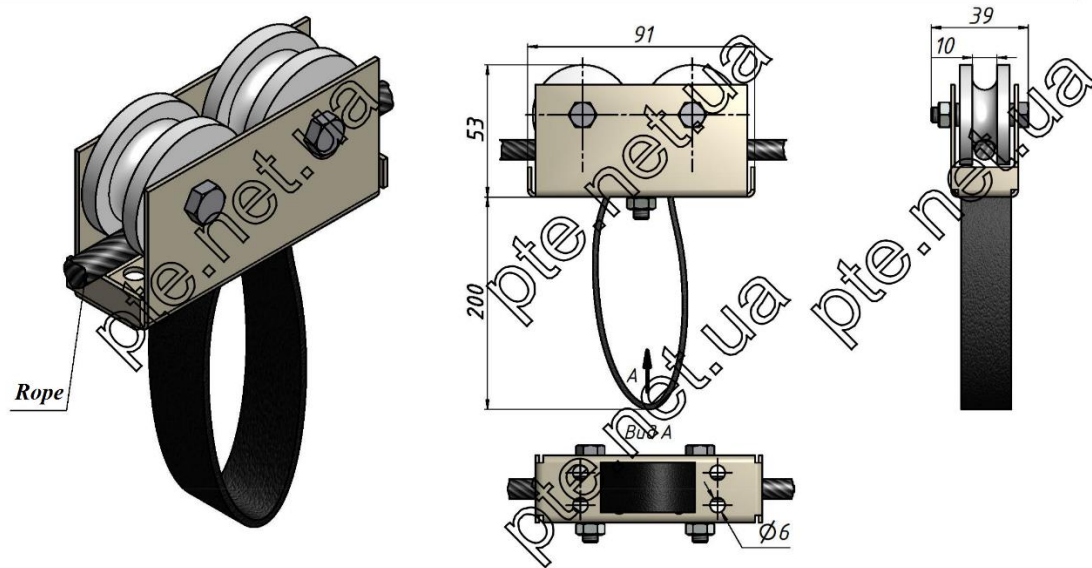


Cable trolley

TTX9,8 – 2XXX* (TY Y 29.2 – 36372997-001:2010)



Primary Use:

Cable trolleys moving along the cable are used to flexibly supply power to various production mechanisms, such as hoisting equipment (cranes, manipulators and freight carts), transport systems, moving platforms, etc.

The uniqueness of this trolley is the fastening of the cable with a textile tape, which ensures quick and convenient installation (see installation manual).

Specifications:

Maximum bearing capacity, kg	8
Temperature condition, °C	-20...+60
Maximum permissible travel speed, m/s	2,5
Accommodation category	U2, U3
The diameter of the cable (along which trolley moves), mm	6...9,8

<u>Vendor code</u>	<u>Material</u>	<u>Material of rollers</u>
31021013	Steel (powder coating)	Steel
31022013	Steel (powder coating)	Galvanized steel
31023013	Steel (powder coating)	Caprolon
31024013	Steel (powder coating)	Polyamide
31025013	Steel (powder coating)	Bronze
31022023	Galvanized steel	Galvanized steel
31023023	Galvanized steel	Caprolon
31024023	Galvanized steel	Polyamide
31025023	Galvanized steel	Bronze
31023033	Stainless steel	Caprolon
31024033	Stainless steel	Polyamide
31025033	Stainless steel	Bronze
31027033	Stainless steel	Stainless steel
31025043	Brass	Bronze

TO ORDER THE CABLE TROLLEY YOU SHOULD INDICATE THE VENDOR CODE

* Note: X - indices, which are assigned to manufacturers for different versions, according to the specifications.



Enterprise of Current Collector and Electric Drive systems

61124 Ukraine, Kharkiv

Phone: +38(057) 755-02-41, +38(057) 764-32-18, +38(057) 756-39-18

Mob phone: +38(066) 321-53-02; +38(093) 939-59-49; +38(095) 880-91-80

email: pte.kharkov@gmail.com; manager@pte.net.ua

Web-site: www.pte.net.ua